

Technical sheet :

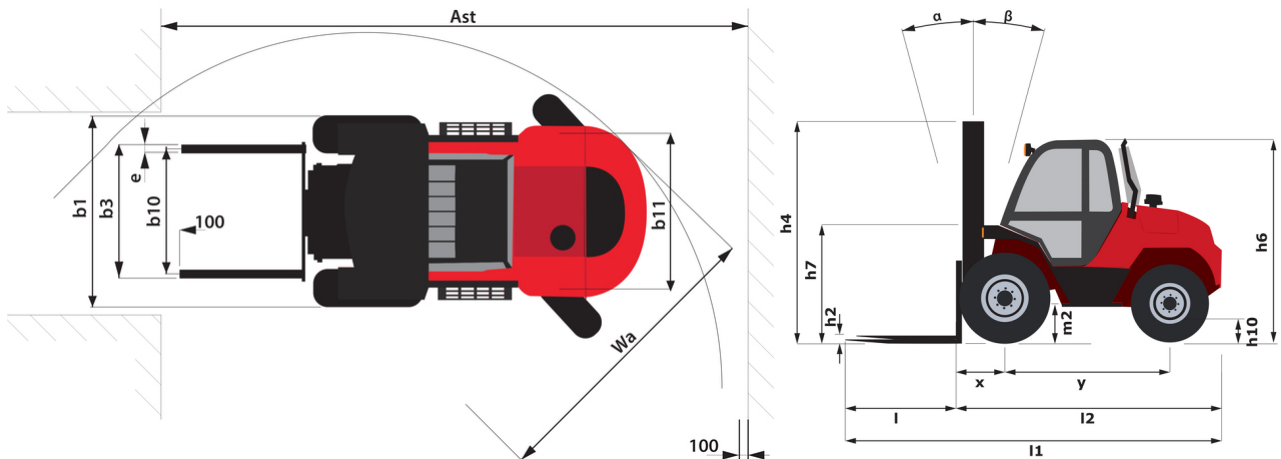
M 30-4



 **MANITOU**
HANDLING YOUR WORLD

Technical characteristics		Metric	
1.1	Manufacturer		Manitou
1.2	Model Name		M 30-4
1.3	Power source		Diesel
1.4	Operator type		Seated
1.5	Max. capacity	Q	3000 kg
1.6	Load center of gravity	c	500 mm
1.8	Load distance, centre of drive axle to fork	x	747 mm
1.9	Wheelbase	y	1995 mm
Weight			
2.1	Service weight		6020 kg
2.2	Weight on front axle (laden) / rear axle (laden)		7515 kg / 1505 kg
2.3	Weight on front axle (Unladen) / rear axle (Unladen)		2365 kg / 3655 kg
Wheels			
3.1	Tires type		Pneumatic
3.2	Dimensions of front wheels		400/70-20 150B T37
3.3	Dimensions of rear wheels		10,5/80-18 10PR A317TL
3.5	Number of front wheels / rear wheels		2 / 2
3.5.2	Number of drive wheels		4
3.6	Front wheel gauge	b10	1520 mm
3.7	Rear wheel gauge	b11	1630 mm
Dimensions			
4.7	Height of overhead guard (cabin)	h6	2496 mm
4.8	Seat height/stand height	h7	1473 mm
4.19	Overall length	l1	4701 mm
4.20	Length to face of forks	l2	3501 mm
4.21	Overall width	b1	1924 mm
4.22	Forks section x width	s / e	40 mm x 125 mm
4.23	Fork carriage ISO 2328 (class/form) A/B		3A
4.24	Fork carriage width	b3	1470 mm
4.31	Ground clearance below mast	m1	450 mm
4.32	Ground clearance at centre of wheelbase	m2	440 mm
4.34	Aisle width for 800 x 1200 pallet lengthways	Ast	6180 mm
4.35	Turning radius	Wa	4030 mm
Performances			
5.1	Travel speed (laden / unladen)		10 km/h / 22 km/h
5.2.1	Lifting speed (unladen)		0.30 m/s
5.3.1	Lowering speed (unladen)		0.40 m/s
5.5	Drawbar pull (Laden / Unladen)		6290 daN / 4250 daN
5.7	Gradeability (laden / unladen)		14 % / 21 %
5.10	Service brake		Hydraulic
	Transmission type		Torque converter
Engine			
7.1	Engine brand / model / norm		Perkins / 854F-E34T / Stage IIIB
7.2	Engine power (Hp / kW)		75 Hp/55 kW
7.3	Rated speed		2200 rpm
7.4	Number of cylinders / Capacity of cylinders		4 - 3400 cm³
Miscellaneous			
8.2	Working hydraulic pressure for attachments		185 bar
8.3	Oil flow rate for attachments		97 l/min
8.4	Sound level at the driver's ear according to DIN 12 053		76 dB

M 30-4 - Dimensional drawing



Characteristics of masts and residual capacities

Full Visibility Duplex (FVD)		FVD 30	FVD 33	FVD 35	FVD 37	FVD 40	FVD 45	FVD 50	FVD 55
α - Mast/fork carriage tilt, forward	°	6	6	6	6	6	6	6	6
β - Mast/fork carriage tilt, backward	°	12	12	12	12	12	12	12	12
h1 - Mast lowered height	mm	2375	2525	2625	2785	2975	3225	3475	3725
h2 - Mast free lift	mm	310	130	310	310	310	310	310	310
h3 - Mast lifting height	mm						4500		
h4 - Mast extended height	mm	4115	4415	4615	4815	5115	5615	6115	6615
Residual capacity at max height	kg	3000	3000	3000	3000	3000			
Residual capacity with integrated side shift at max height	kg	3000	3000	3000	3000	3000			
Height at max capacity	mm	2500	2500	2500	2500	2500	2500	2500	2500

Free Lift Triplex (FLT)		FLT 40	FLT 43	FLT 47	FLT 50	FLT 55	FLT 60	FLT 65	FLT 70
α - Mast/fork carriage tilt, forward	°	6	6	6	6	6	6	6	6
β - Mast/fork carriage tilt, backward	°	12	12	12	12	12	12	12	12
h1 - Mast lowered height	mm	2375	2525	2625	2785	2975	3225	3475	3725
h2 - Mast free lift	mm	1383	1533	1.63	1793	1983	2233	2483	2733
h4 - Mast extended height	mm	5032	5332	5732	6032	6532	7032	7532	8032
Residual capacity at max height	kg	3000	3000	2800	2600	2000	1800	1350	1000
Residual capacity with integrated side shift at max height	kg	3000							
Height at max capacity	mm	2500	2500	2500	2500	2500	2500	2500	2500

Full Visibility Triplex (FVT)		FVT 37	FVT 55	FVT 67
α - Mast/fork carriage tilt, forward	°	6	6	6
β - Mast/fork carriage tilt, backward	°	12	12	12
h1 - Mast lowered height	mm	2275	3055	3455
h2 - Mast free lift	mm	1283		
h4 - Mast extended height	mm	4732	6725	7925
Residual capacity at max height	kg	3000	1250	
Residual capacity with integrated side shift at max height	kg	3000		
Height at max capacity	mm	2500	2500	2500



Head Office

B.P. 249 - 430 rue de l'Aubinière

44150 Ancenis Cedex - France

Tel: +33 (0)2 40 09 10 11 - Fax: +33 (0)2 40 09 10 97

www.manitou.com



This publication provides a description of the configuration versions and options for Manitou products, which may differ for equipment. The equipment presented in this brochure may be part of a series, as an option, or it may not be available, depending on the versions. Manitou reserves the right, at any time and without notice, to amend the specifications described and represented. The specifications provided do not bind the manufacturer. For more details, please contact your Manitou agent. This is not a contractually binding document. The presentation of the products is not contractually binding. List of specifications non-exhaustive. The logos as well as the visual identity of the company are owned by Manitou and cannot be used without authorisation. All rights reserved. The photos and diagrams contained in this brochure are only provided for consultation and information purposes.

MANITOU BF SA - Limited company with board of directors - Share capital: 39,668,399 euros - 857 802 508 RCS Nantes